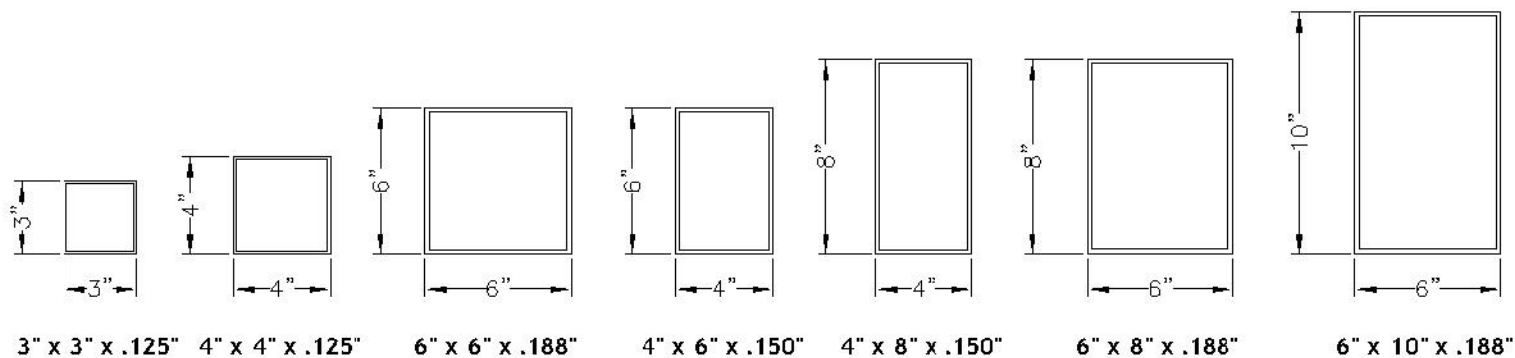
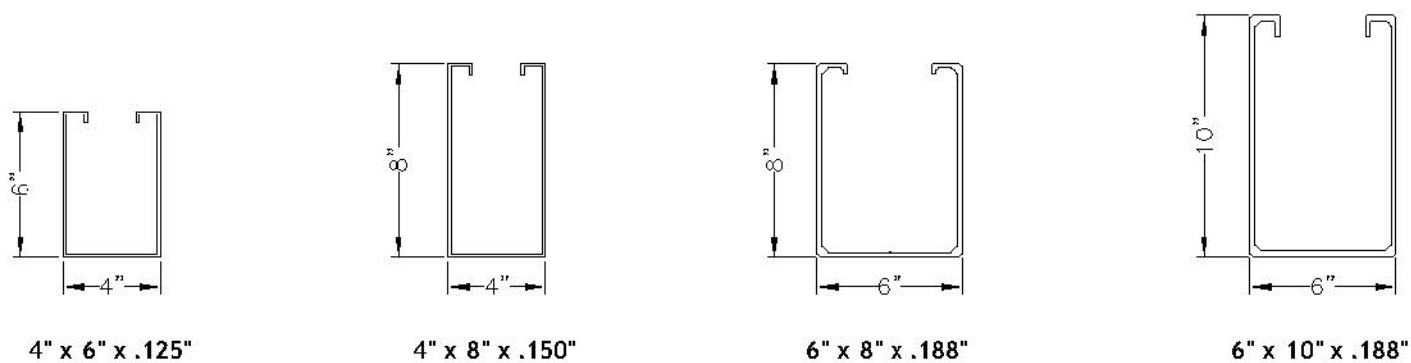


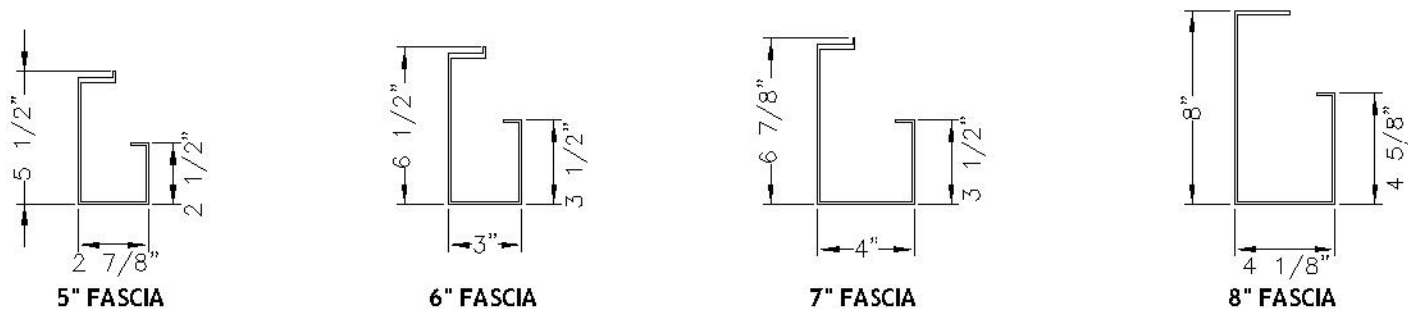
## COLUMNS



## DRAINAGE BEAMS

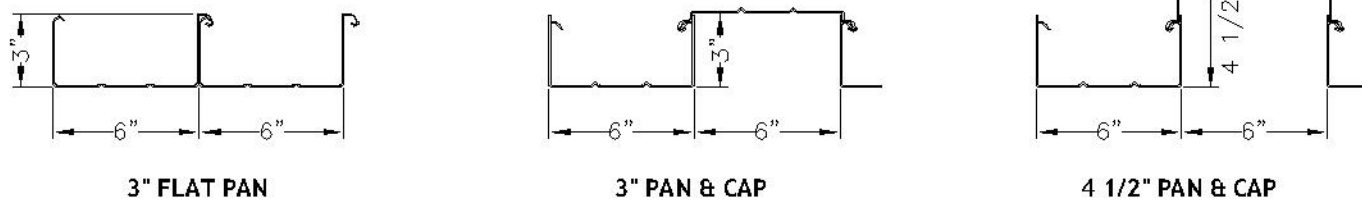


## FASCIA / GUTTERS



## EXTRUDED DECK SYSTEMS

PANS & CAPS AVAILABLE IN .060 & .080 THICKNESS



Other shapes and deck options are available – contact East Coast TVM for more details